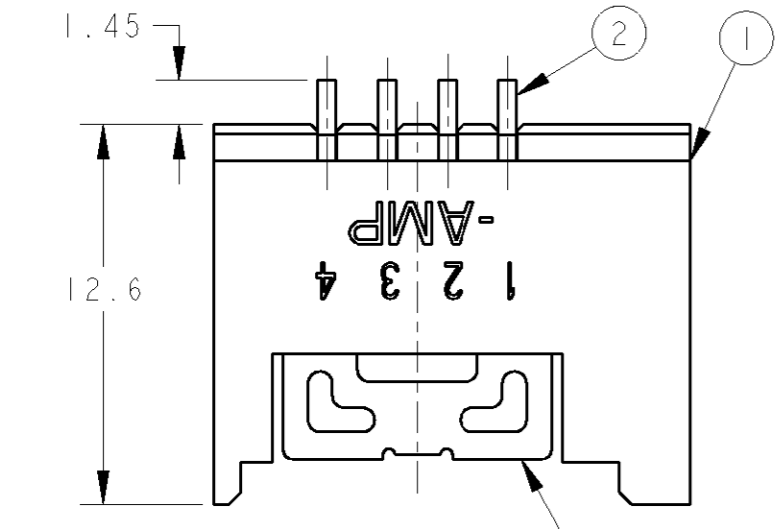


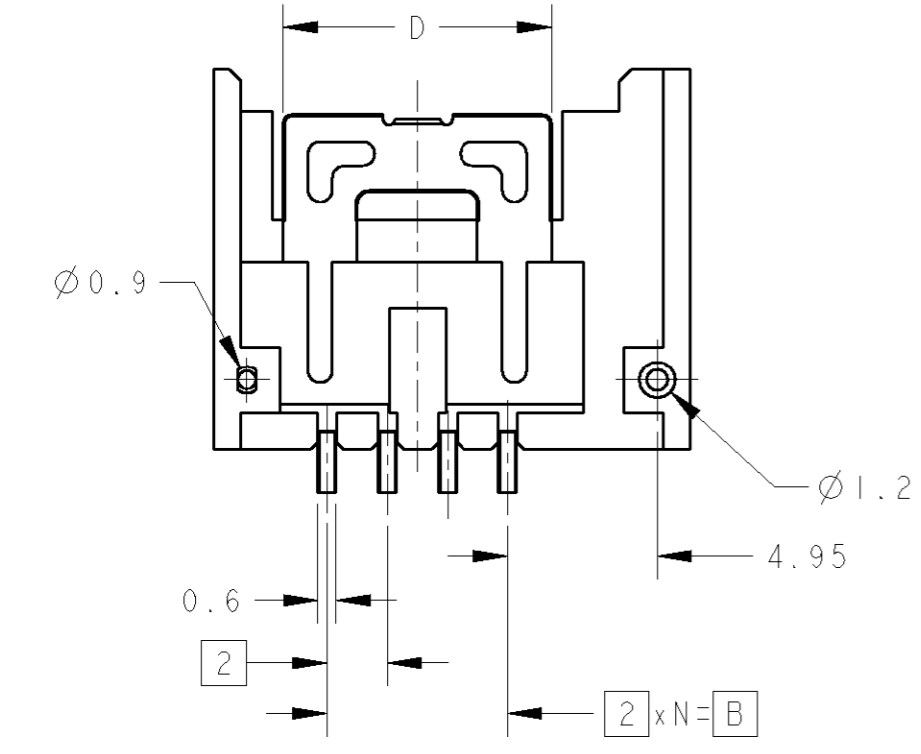
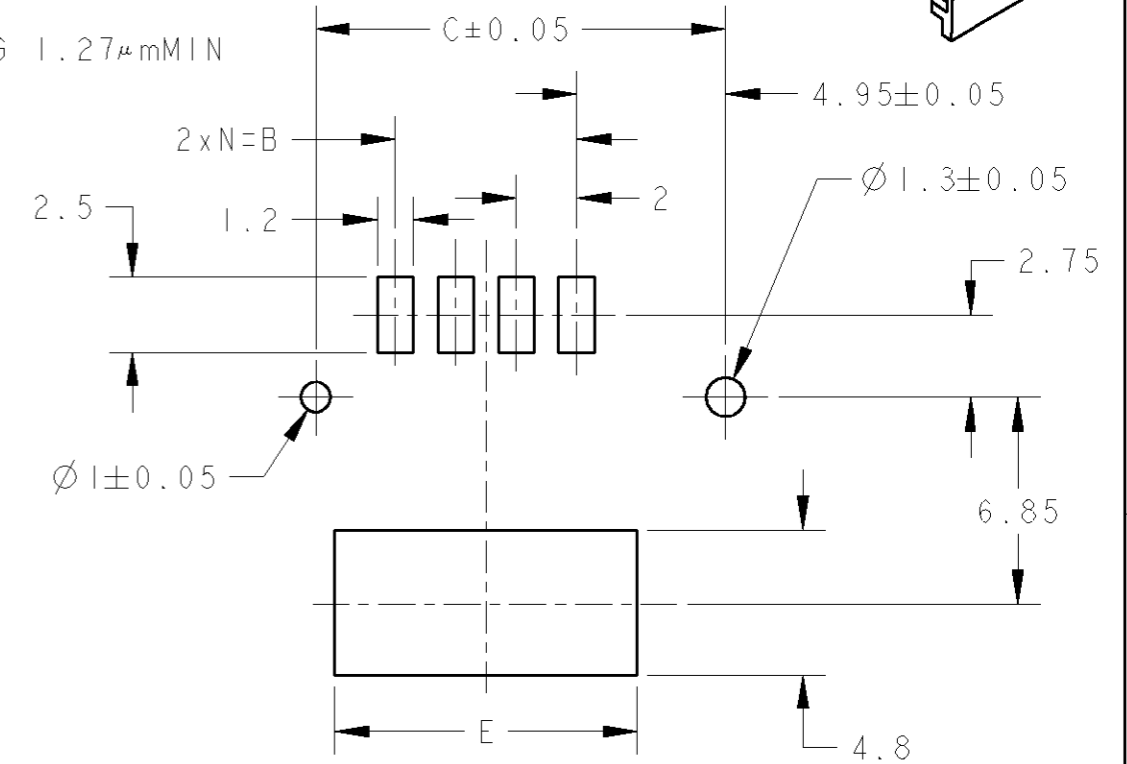
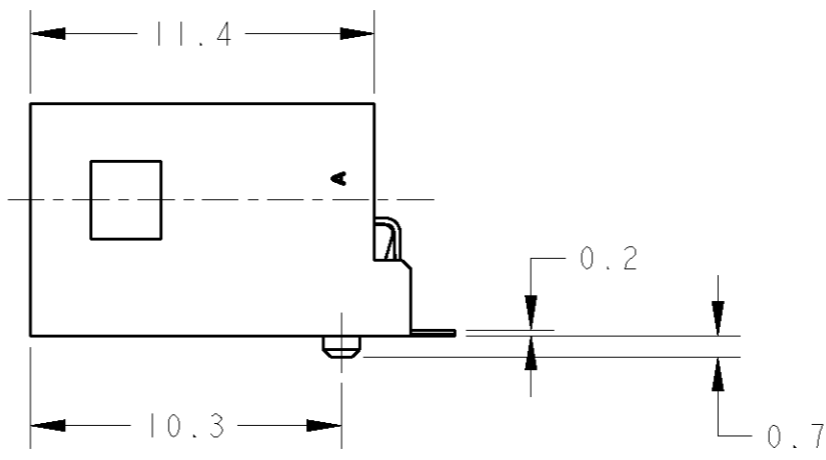
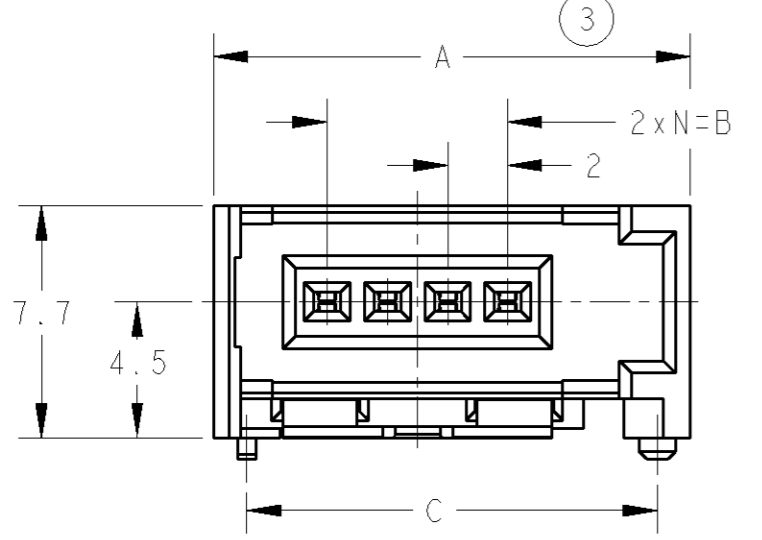
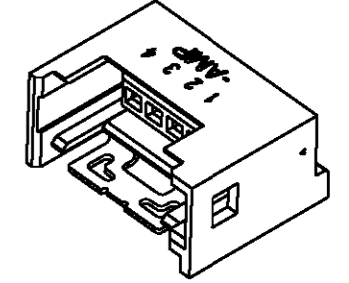
THIS DRAWING IS UNPUBLISHED. RELEASED FOR PUBLICATION 2002
 © COPYRIGHT 2002 BY TYCO ELECTRONICS CORPORATION. ALL RIGHTS RESERVED.

LOC	DIST	REVISIONS					
J	-	P	LTR	DESCRIPTION	DATE	DWN	APVD
		0		RELEASED(FJ00-0828-02)	18APR2002	M.K	Y.K



1 材料及びめっき:
 コンタクト: 銅合金、下地ニッケル 1.27μm以上
 接点部: 金メッキ0.2μm以上、半田付け部: 錫メッキ1~3μm
 ハウジング: 熱可塑性樹脂
 ペグ: 銅合金、下地ニッケル 1.27μm以上
 半田付け部: 錫メッキ1~3μm

1 MATERIAL & FINISH
 CONTACT: COPPER ALLOY, UNDER Ni PLATING 1.27μmMIN
 CONTACT AREA: Au PLATING 0.2μmMIN
 TINE AREA: TIN PLATING 1~3μm
 HOUSING: THERMO PLASTIC
 SOLDER PEG: COPPER ALLOY, UNDER Ni PLATING 1.27μmMIN
 TINE AREA: TIN PLATING 1~3μm



1565994-3, 4: AS SHOWN

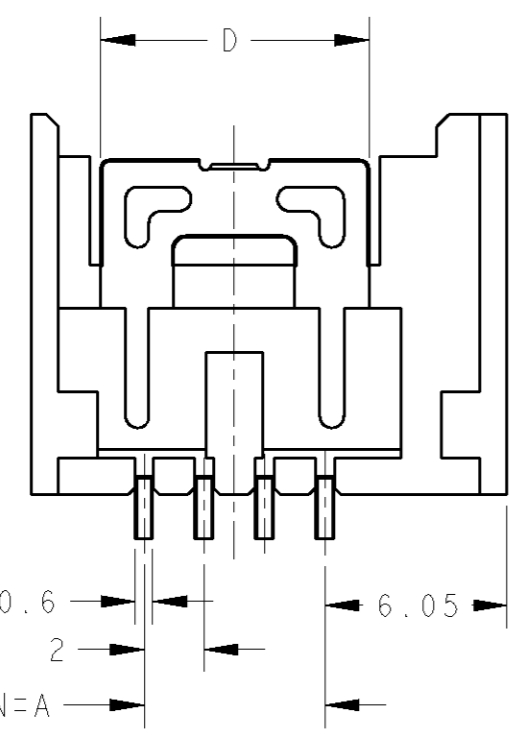
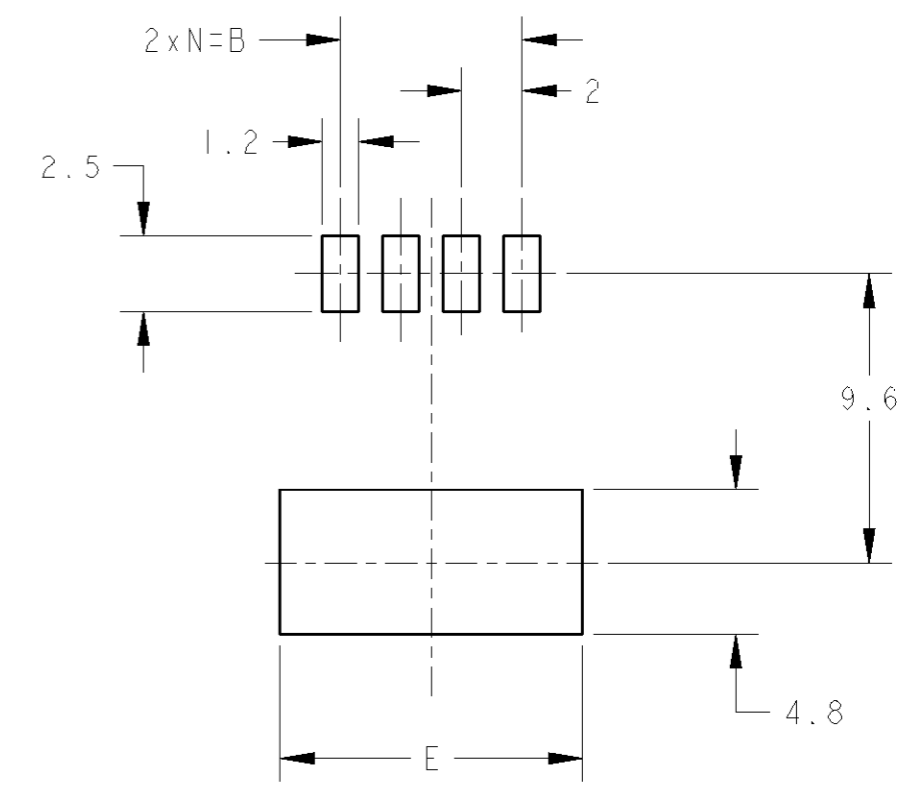
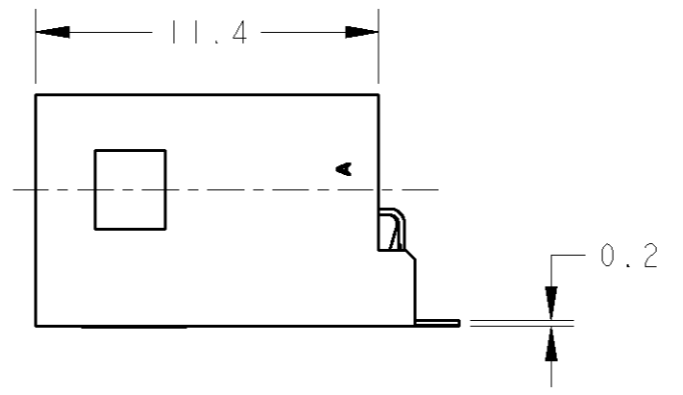
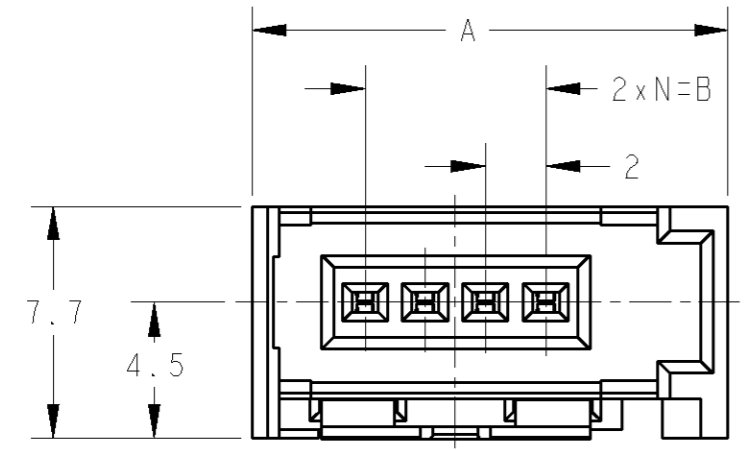
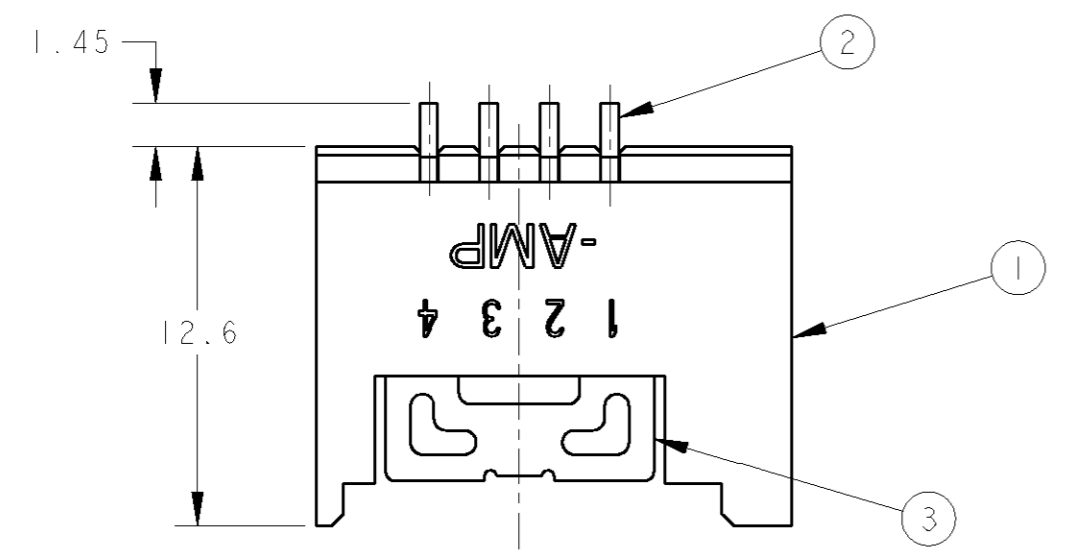
参考基板寸法 (実装面側)
 REFERENCE DIMENSION OF PCB (MOUNTING SIDE)

1.1g	0.95g	1.1g	0.95g												
1	1	1	1	SOLDER PEG											3
4	3	4	3	HDR CONTACT											2
1				HSR HSG, 4P, W/O BOSS	10	8.9	-	6	15.8	3	4	1			
	1			HDR HSG, 3P, W/O BOSS	8	6.9	-	4	13.8	2	3	1			
		1		HDR HSG, 4P, WITH BOSS	10	8.9	13.6	6	15.8	3	4	1			
			1	HDR HSG, 3P, WITH BOSS	8	6.9	11.6	4	13.8	2	3	1			
1	-4	1	-3	-4	-3	NAME	E	D	C	B	A	N	POS	ITEM	

THIS DRAWING IS A CONTROLLED DOCUMENT FOR TYCO ELECTRONICS CORPORATION IT IS SUBJECT TO CHANGE AND THE CONTROLLING ENGINEERING ORGANIZATION SHOULD BE CONTACTED FOR THE LATEST REVISION.		DWN 18APR2002 M. Kimura CHK 18APR2002 Y. KASHIWA APVD 18APR2002 Y. KASHIWA	tyco Electronics Tyco Electronics AMP K.K. Kawasaki, Japan
DIMENSIONS: 単位: 概 mm	TOLERANCES UNLESS OTHERWISE SPECIFIED: 一般公差 ±0.25 0-PLC ± 1-PLC ±0.1 2-PLC ±0.01 3-PLC ±0.001 4-PLC ±0.0001 ANGLES ±3	PRODUCT SPEC 製品規格 108-5765 APPLICATION SPEC 取付適用規格 -	NAME 名称 HDR ASSEMBLY, RIGHT ANGLE SMT TYPE RITS CONNECTOR WITH BOSS
MATERIAL 材料 SEE NOTE	FINISH 仕上 SEE NOTE	WEIGHT TABLE	SIZE A3 CAGE CODE 00779 DRAWING NO 番号 C=1565994 RESTRICTED TO -
CUSTOMER DRAWING		SCALE 尺度 4:1	SHEET 1 OF 3 REV 0

THIS DRAWING IS UNPUBLISHED. RELEASED FOR PUBLICATION 2002
 © COPYRIGHT 2002 BY TYCO ELECTRONICS CORPORATION. ALL RIGHTS RESERVED.

LOC	DIST	REVISIONS					
		P	LTR	DESCRIPTION	DATE	DWN	APVD
J	-	-	-	SEE SHEET 1	-	-	-



1-1565994-3, 4: AS SHOWN

参考基板寸法 (実装面側)
 REFERENCE DIMENSION OF PCB (MOUNTING SIDE)

THIS DRAWING IS A CONTROLLED DOCUMENT FOR TYCO ELECTRONICS CORPORATION IT IS SUBJECT TO CHANGE AND THE CONTROLLING ENGINEERING ORGANIZATION SHOULD BE CONTACTED FOR THE LATEST REVISION.		DWN M. Kimura 18APR2002 CHK Y. KASHIWA 18APR2002 APVD Y. KASHIWA 18APR2002		tyco Electronics Tyco Electronics AMP K.K. Kawasaki, Japan	
DIMENSIONS: 単位: 英 mm		TOLERANCES UNLESS OTHERWISE SPECIFIED: 一般公差 ±0.25 0-PLC ± 1-PLC ±0.1 2-PLC ±0.01 3-PLC ±0.001 4-PLC ±0.0001 ANGLES ±3		PRODUCT SPEC 製品規格 108-5765 APPLICATION SPEC 取付適用規格 -	
MATERIAL 材料 -		FINISH 仕上 -		NAME 名称 HDR ASSEMBLY, RIGHT ANGLE SMT TYPE RITS CONNECTOR WITHOUT BOSS	
		WEIGHT -		SIZE A3 CAGE CODE 00779 DRAWING NO. 1565994 RESTRICTED TO -	
CUSTOMER DRAWING				SCALE 4:1 SHEET 2 OF 3 REV 0	

THIS DRAWING IS UNPUBLISHED. RELEASED FOR PUBLICATION 2002
 © COPYRIGHT 2002 BY TYCO ELECTRONICS CORPORATION. ALL RIGHTS RESERVED.

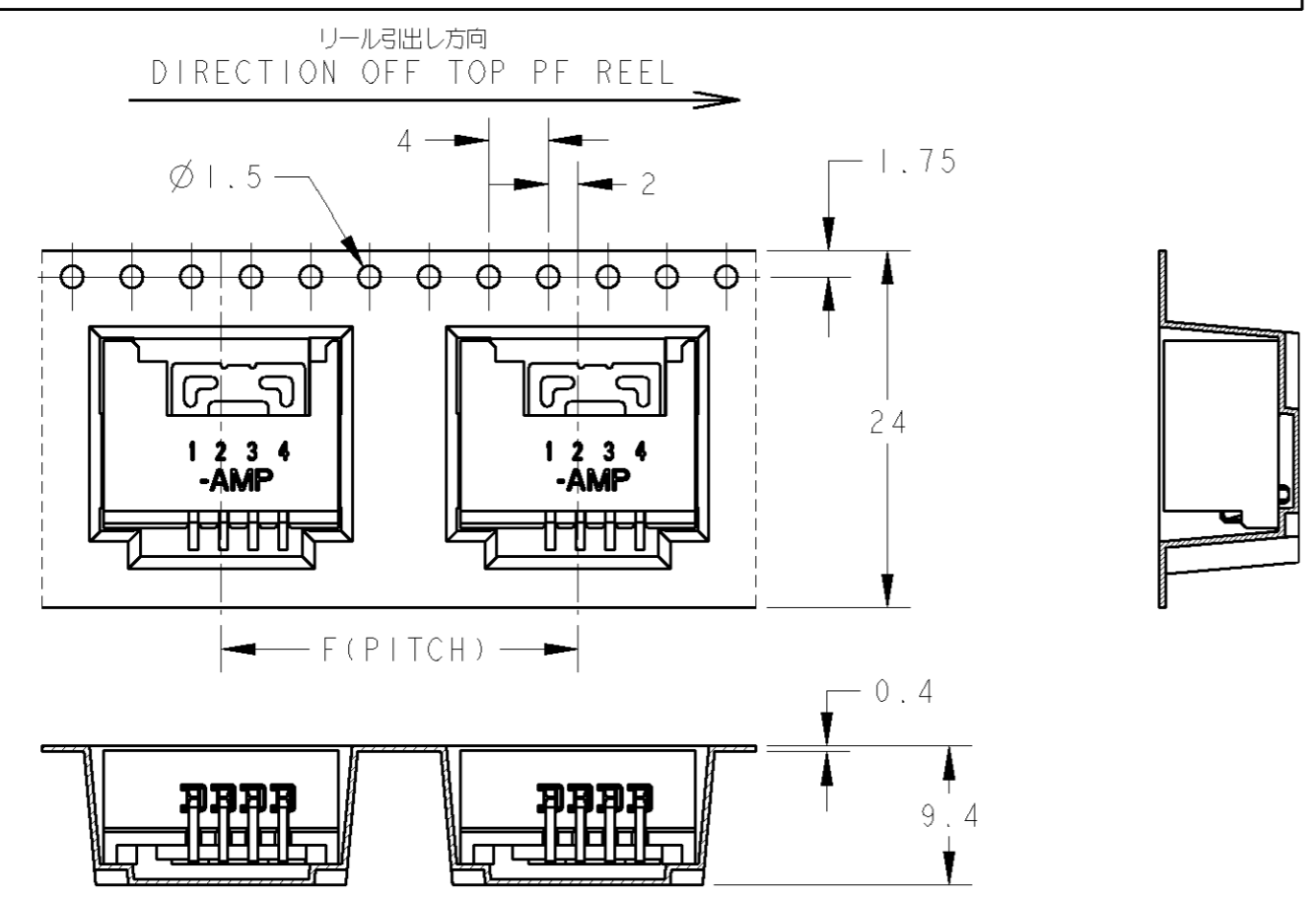
LOC	DIST	REVISIONS					
		P	LTR	DESCRIPTION	DATE	DWN	APVD
J	-	-	-	SEE SHEET 1	-	-	-

D

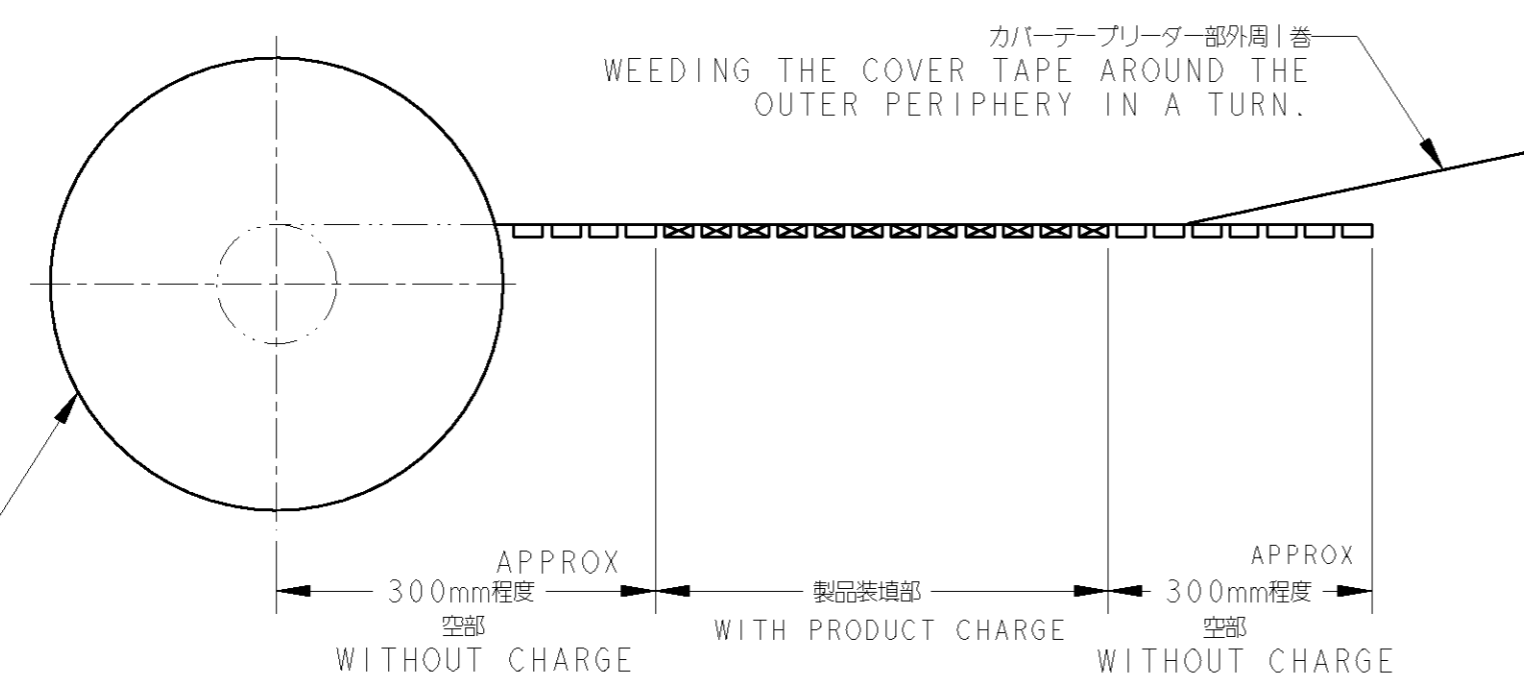
C

B

A



PACKING STYLE



200	4	24	1-1565994-4
250	3	20	1-1565994-3
200	4	24	1565994-4
250	3	20	1565994-3
QTY	POS	F	PART NO.

REEL SIZE:
 330DIAx80DIA(HUB)x31.5W(25.5W INSIDE)

THIS DRAWING IS A CONTROLLED DOCUMENT FOR TYCO ELECTRONICS CORPORATION IT IS SUBJECT TO CHANGE AND THE CONTROLLING ENGINEERING ORGANIZATION SHOULD BE CONTACTED FOR THE LATEST REVISION.		DWN M. Kimura 18APR2002 CHK Y. KASHIWA 18APR2002 APVD Y. KASHIWA 18APR2002		tyco Electronics Tyco Electronics AMP K.K. Kawasaki, Japan	
DIMENSIONS: 単位: 概 mm 		TOLERANCES UNLESS OTHERWISE SPECIFIED: 一般公差 ±0.3 0-PLC ± 1-PLC ± 2-PLC ± 3-PLC ± 4-PLC ± ANGLES ±3		NAME 名称 HDR ASSEMBLY, RIGHT ANGLE SMT TYPE RITS CONNECTOR EMBOSS ASSY	
MATERIAL 材料 -		FINISH 仕上 -		APPLICATION SPEC 取付適用規格 - WEIGHT -	
CUSTOMER DRAWING				SIZE A3 CAGE CODE 00779 DRAWING NO. 1565994 RESTRICTED TO -	
SCALE 尺度 NONE				SHEET 3 OF 3 REV 0	